



# JTC-100 Ex

## Temperature Controller and Limiter



### APPLICATION

- For use in hazardous areas
- Temperature control for heated lines

### BENEFITS

- Wide control range of 0° to 450 °C (32 °F up to 842 °F)
- Ambient temperature range of -40° to 50 °C (-40 °F up to 122 °F)
- Easy set-up and operation
- Mechanical safety through round shape
- Rapid closing of cover through snap fit
- Easy to use

### FEATURES

- Controller and limiter in one device
- Status / Alarm contact
- Suitable for self-regulating trace heaters
- Suitable for resistance trace heaters



## TECHNICAL DATA

### MODEL

### JTC-100 Ex

Description	temperature controller and limiter for use in hazardous area
Electrical connection	cable glands and terminals

### OPERATION

Ambient temperature	-40 °C up to +50 °C (-40 °F up to 122 °F)
Location	hazardous area, outdoor, indoor
Cooling	passive cooling

### CONSTRUCTION

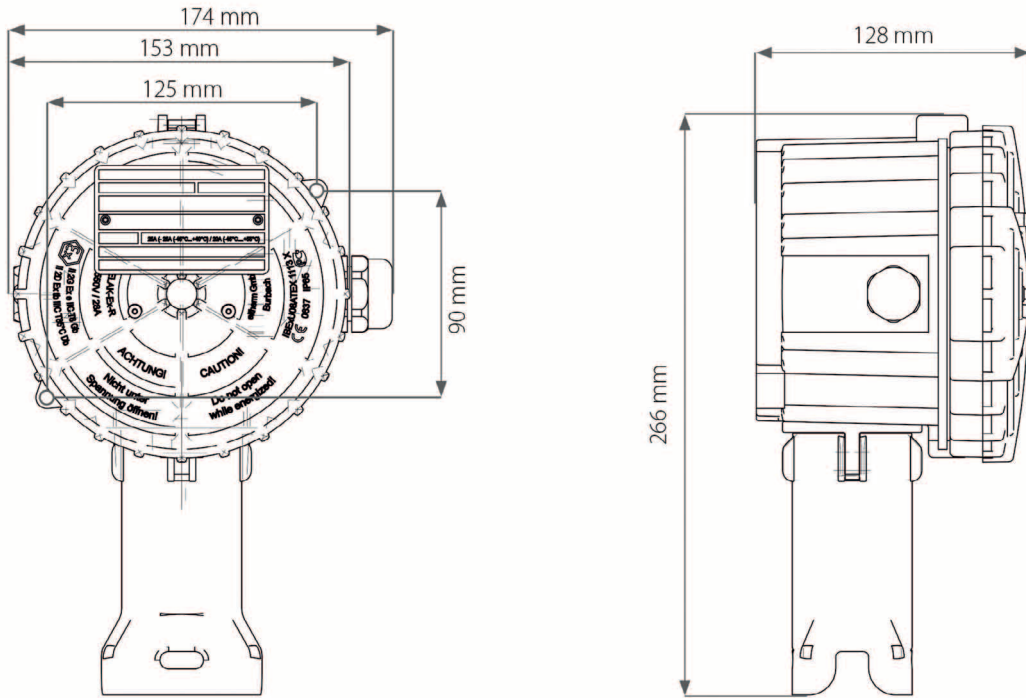
Dimensions (W x H x D)	Ø 174 mm, depth 128 mm (Ø 6.85 in, depth 5.04 in)
Mounting	wall mount
Weight	1.5 kg (3.3 lbs)
Housing / Color	anti static polyamid / black
Protection class	IP65
Type of protection	II 2G Ex eb ib mb IIC T6...T5 Gb II 2D Ex ib tb IIIC T85°C...T100°C Db
Approvals	CE, ATEX, IECEx

### ELECTRICS

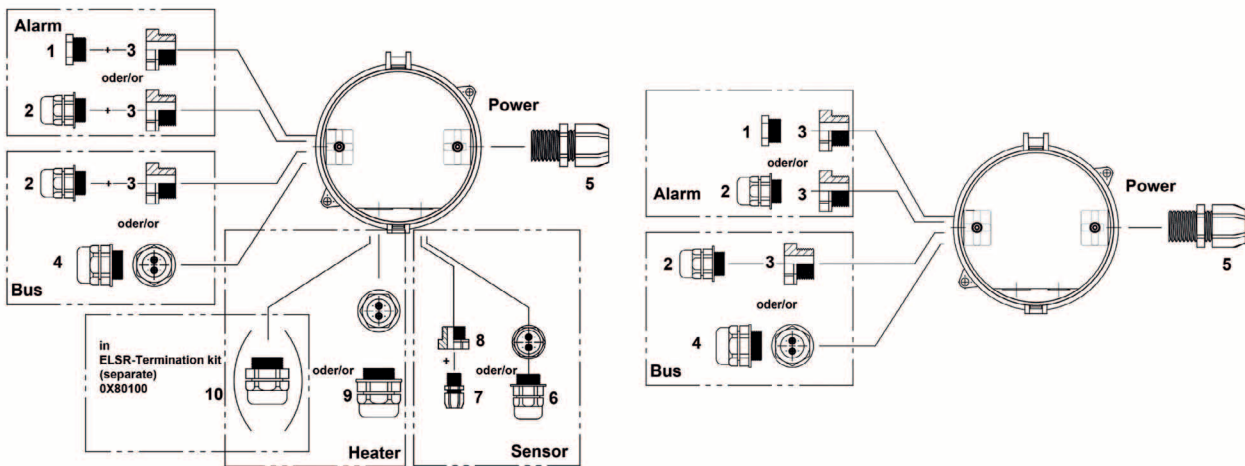
Power supply	230 V +/- 10 % 50/60 Hz power consumption without load: 5 VA
Maximum power output (load circuit)	25 A up to 40°C ambient temperature 20 A up to 50°C ambient temperature
Electrical connection	cable gland with terminals, terminal size 0.2 – 4 mm <sup>2</sup>
Fusing	external
Sensor types	PT-100 (RTD)
Range	0°... 450 °C; factory setting: 5 °C
Accuracy	switchpoint accuracy: < 2 K switching hysteresis: < 100 °C: 3 K, > 100 °C: 3 %
Status contact	1 open contact 3 A, 250 VAC, 100 VA or 5 A, 24 VDC, 100 W
Controller type	two-point controller
Temperature limiter	included, restart 5 K below limiter threshold, factory setting: 0 °C

## DIMENSIONAL DRAWINGS

dimensions in mm



\* Optional mounting stand for the pipe mounting models



## ORDER CODES

Part No.	Description
89.01050	JTC-100 Ex TC