

JCT
Analysentechnik

HT-43

Compact Electronic Controller



Gas Sampling
Probes

Heated Sample Lines

Sample Gas
Coolers

Condensate
Treatment

Accessories

Gas Conditioning
Systems

Sample Gas
Converters

APPLICATION

- Temperature controller for all **JCT** heated sample lines
- Suitable for mobile applications
- Also universally applicable

BENEFITS

- Suitable 7-pole connector for **JCT** heated sample lines
- Long lifetime due to contactless switching
- High switching capacity of 2300 W
- Robust compact design
- Alarm relays for 6 A

FEATURES

- PID-controller
- Factory programmed
- Wall mounting housing IP 65
- 4-digit LED-indication
- Membrane keypad with 4 push buttons
- Alarm outlet with limit compensation ($\pm 10^{\circ}\text{C}$ to set point)
- Controller outlet with triac
- Auto tuning

TECHNICAL DATA

Model

HT-43

Description	compact electronic temperature controller for all heated JCT sample lines
Order Code	
Connections	7-pole socket (6-pole+PE) and 1,2 m mains cable, 1 x cable gland for signal outlet

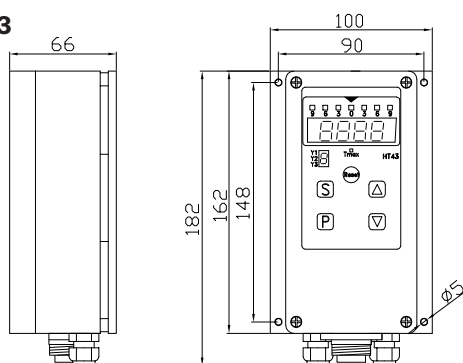
Construction

Installation	wall mounting, 4 x M4
Dimensions (W x H x D)	80 x 182 x 66 mm
Mounting surface (W x H)	100 x 162 mm
Degree of protection	IP 65 (EN 60529)
Protection class	I
Operation	film keypad, 4 push buttons
Housing material	Makrolon
Approvals	CE

Electrics

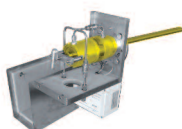
Power supply	230 VAC 50 Hz, optional 115 VAC 60 Hz
Noise immunity	EN 50 082-2
Emitted interference	EN 50 081-1
Sensor types	Fe-CuNi (J), NiCr--Ni (K), with reference point compensation and sensor breakage safeguard, sensor polarity reversal control PT 100, 2 conductors DIN/IEC
Fault limit	0,1 % to 0,2 % of the range
Controller outlet	electrical switch (control) 10 A, Triac
Alarm outlet	relay 6 A, limit compensation Y3, $\pm 10K$ of rated value, alarm outlet limit contact adjusted to max. temperature range, Y2
Controller response	PID
Display current / rated value	4-digit LED-display (13 mm high)
Deviation display	7 LED $\pm 12^{\circ}\text{C}$ flashing
Possible settings ex works	PT100: 0°C to 100°C, 0°C to 200°C, 0°C to 250°C, 0°C to 500°C Fe-CuNi: 0°C to 100°C, 0°C to 200°C, 0°C to 250°C, 0°C to 500°C, 0°C to 999°C NiCr-Ni: 0°C to 100°C, 0°C to 200°C, 0°C to 250°C, 0°C to 500°C, 0°C to 999°C
Option	external set point input

Dimensions HT-43



Dimensions in mm

Gas Sampling **Probes**



Heated Sample **Lines**



Sample Gas **Coolers**



Gas Conditioning **Systems**



NOx **Converter**



and **solutions** for

