



JHBEX

Heating Block for Ex Zones

JCT

Analysentechnik



Gas Sampling
Probes

Heated Sample
Lines

Sample Gas
Coolers

Condensate
Treatment

Accessories

Gas Conditioning
Systems

Sample Gas
Converters

APPLICATION

- Installation in Ex zone 1 and Ex zone 2
- Heating of pipes in Ex zone
- Heating of valves in Ex zone

BENEFITS

- No temperature controller or safety device needed
- Heating of Ex zone 0 if JHBEX is installed in Ex zone 1

FEATURES

- JHBEX options for T2, T3 and T4
- Protection class for gas and dust
- Ex db & Ex tb ATEX & IECEx & KCs certificates

TECHNICAL DATA

Model

JHBEX

Description	Heating block for Ex zones
Approval / Sign	IECEX, ATEX, KCs, PESO

Operation

Maximum temperature	135 °C...300 °C
Permissible ambient temperature	-60 °C...150 °C
Protection class	IP68

Construction

Dimensions over all (W x H x D)	445 x 29/35 x 33 mm
Weight	0,4 kg
Mounting position	Heat transfer surface full-surface contact with mechanically firm contact / any
Body material	aluminum
Housing color	yellow
Heating element	PTC heating element
Type of protection	flameproof enclosure

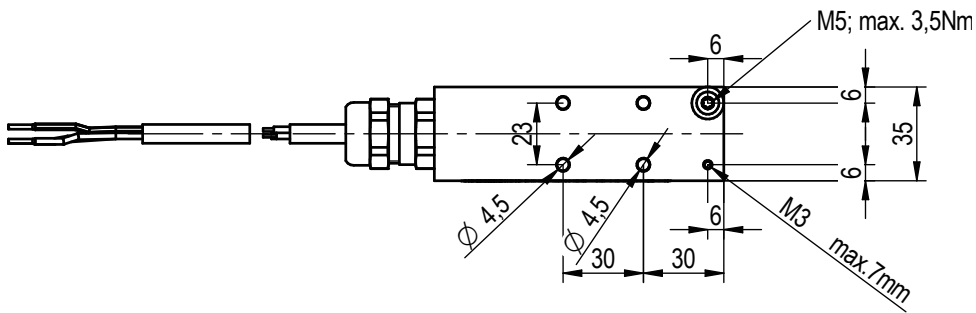
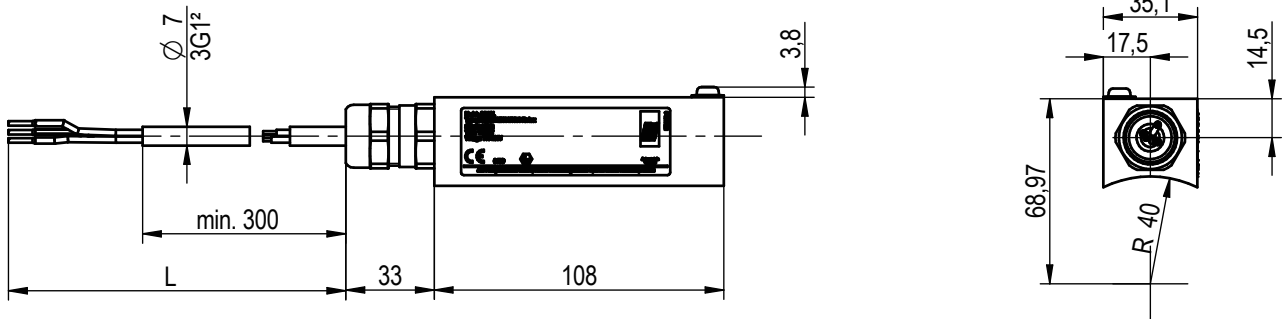
Electrics

Power supply	115...230 VAC +/-10%, 50/60 Hz
Power consumption	30 W...200 W
Inrush current	< 2 A
Fusing	on site, fuse characteristic C 230 VAC 6A; 115 VAC 10A
Cable minimum bend radius	occasional flexing: 55 mm fixed installation: 29 mm
Cable diameter	OD 7 mm, 3 x 1,0 mm ²

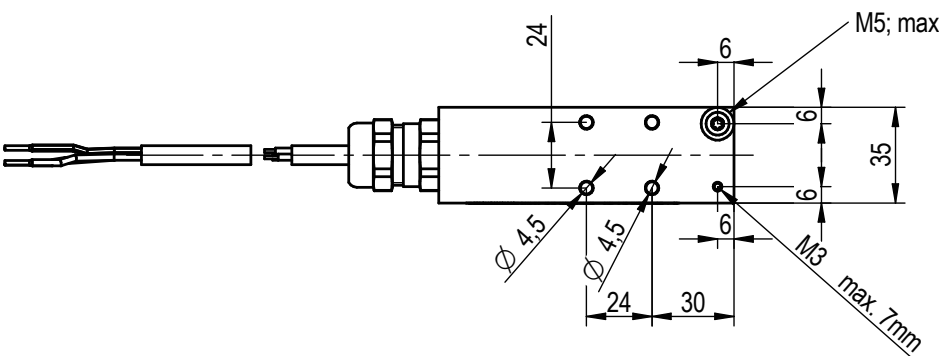
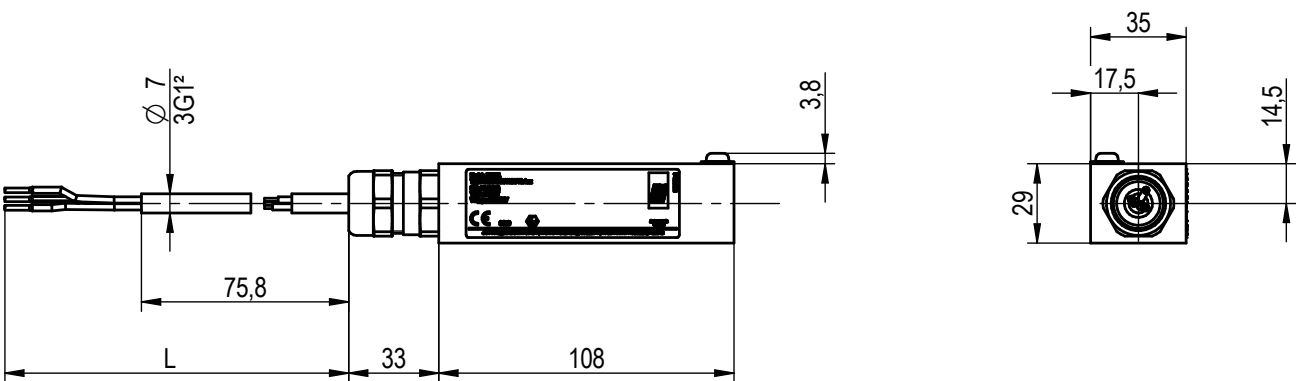
DIMENSIONS

Heating block with round heat transfer surface

Mounting position for external low or high temperature contact (M3 thread)



Heating block with flat heat transfer surface



ORDER CODES

Available Features

Temperature class	temperature class T2 / T 300 °C	300							
	temperature class 230 °C (T2) / T 230 °C; T2C (NEC)	230							
	temperature class T3 / T 200 °C	200							
	temperature class T4 / 135 °C	135							
affect into	zone 0 (20)		0						
	zone 1 (21)		1						
	zone 2 (22)		2						
Mounting surface	round			R					
	flat			F					
Mounting	without mounting holes					0			
	2 mounting holes					2			
	4 mounting holes					4			
	ANSI/ISA-SP76 standard					6			
Cable length	3 m						L1		
	10 m						L2		
Cable gland	for armoured conduit							0	
Order code								L	0

Gas Sampling **Probes**



Heated Sample **Lines**



Sample Gas **Coolers**



Gas Conditioning **Systems**



NOx **Converter**



and solutions for

