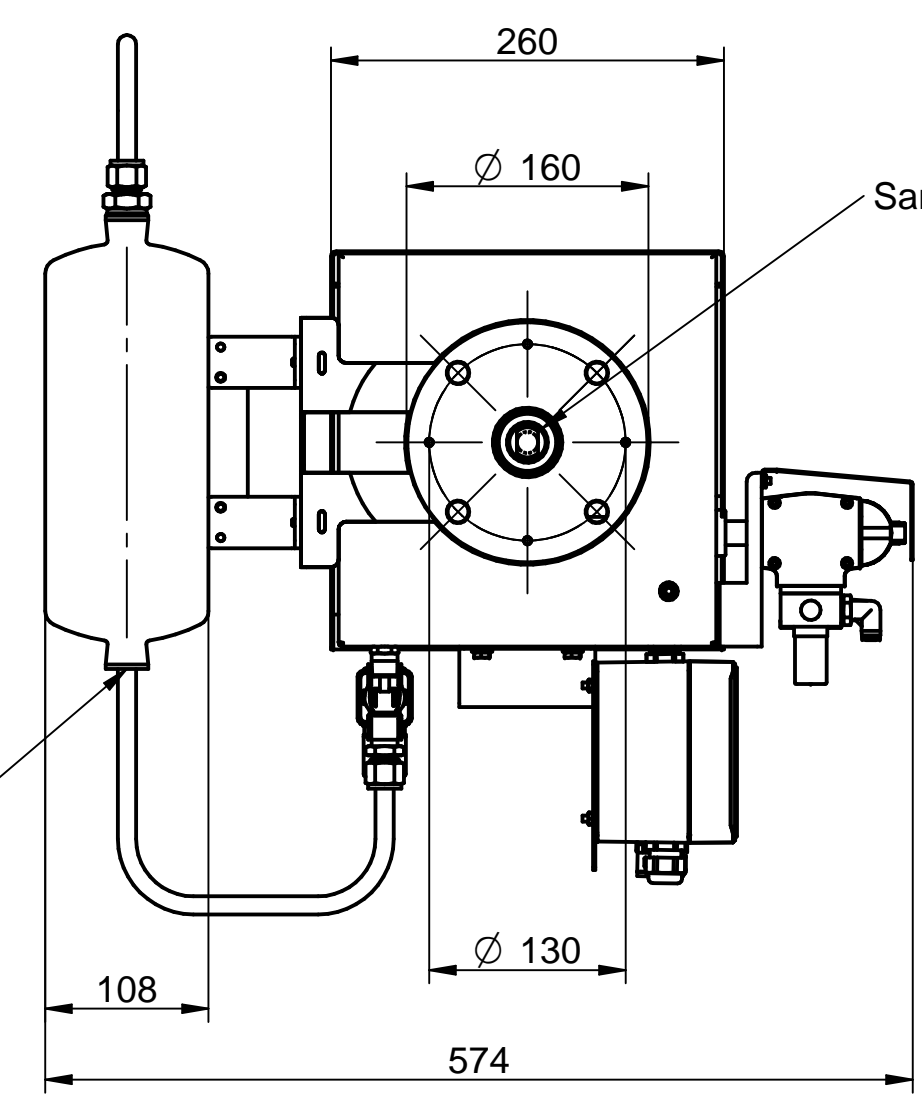
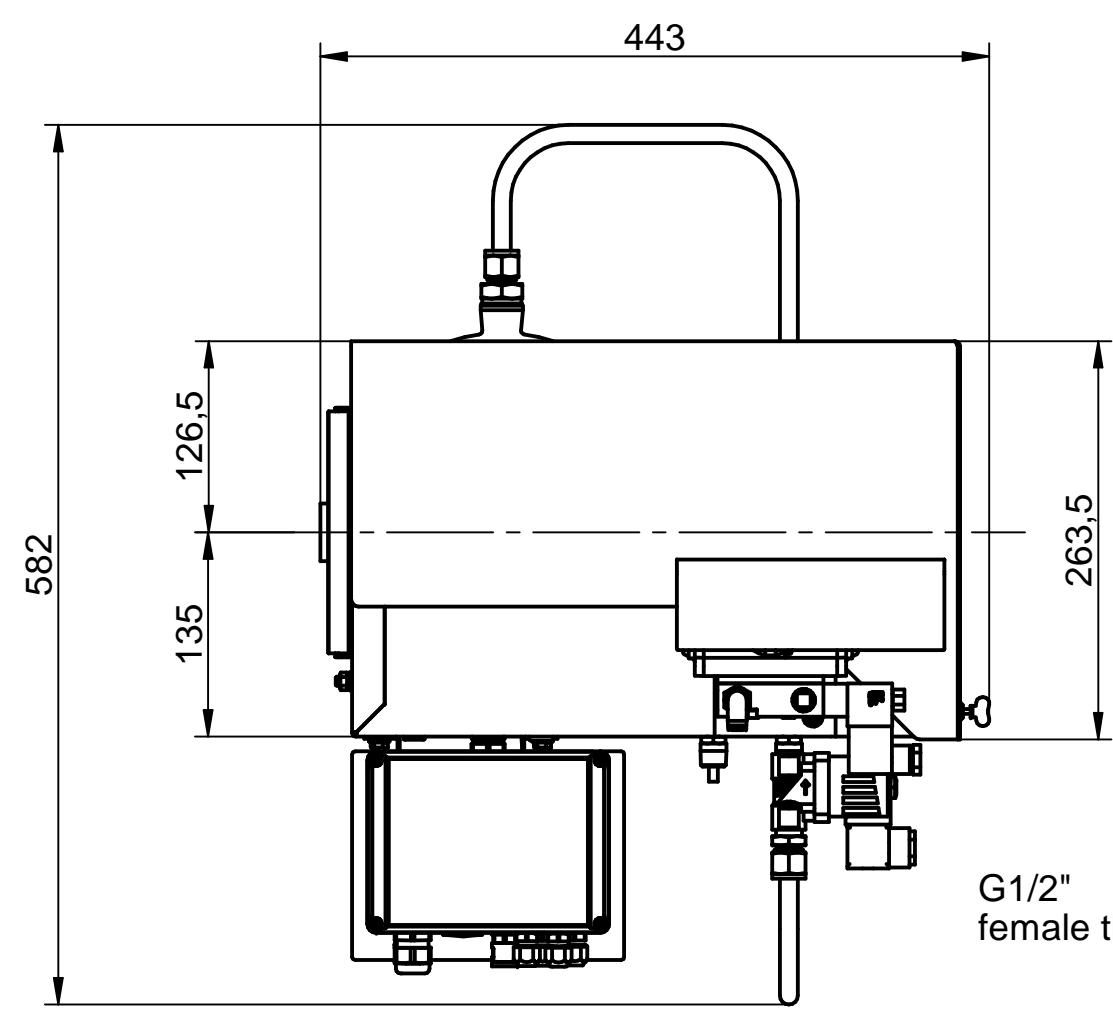
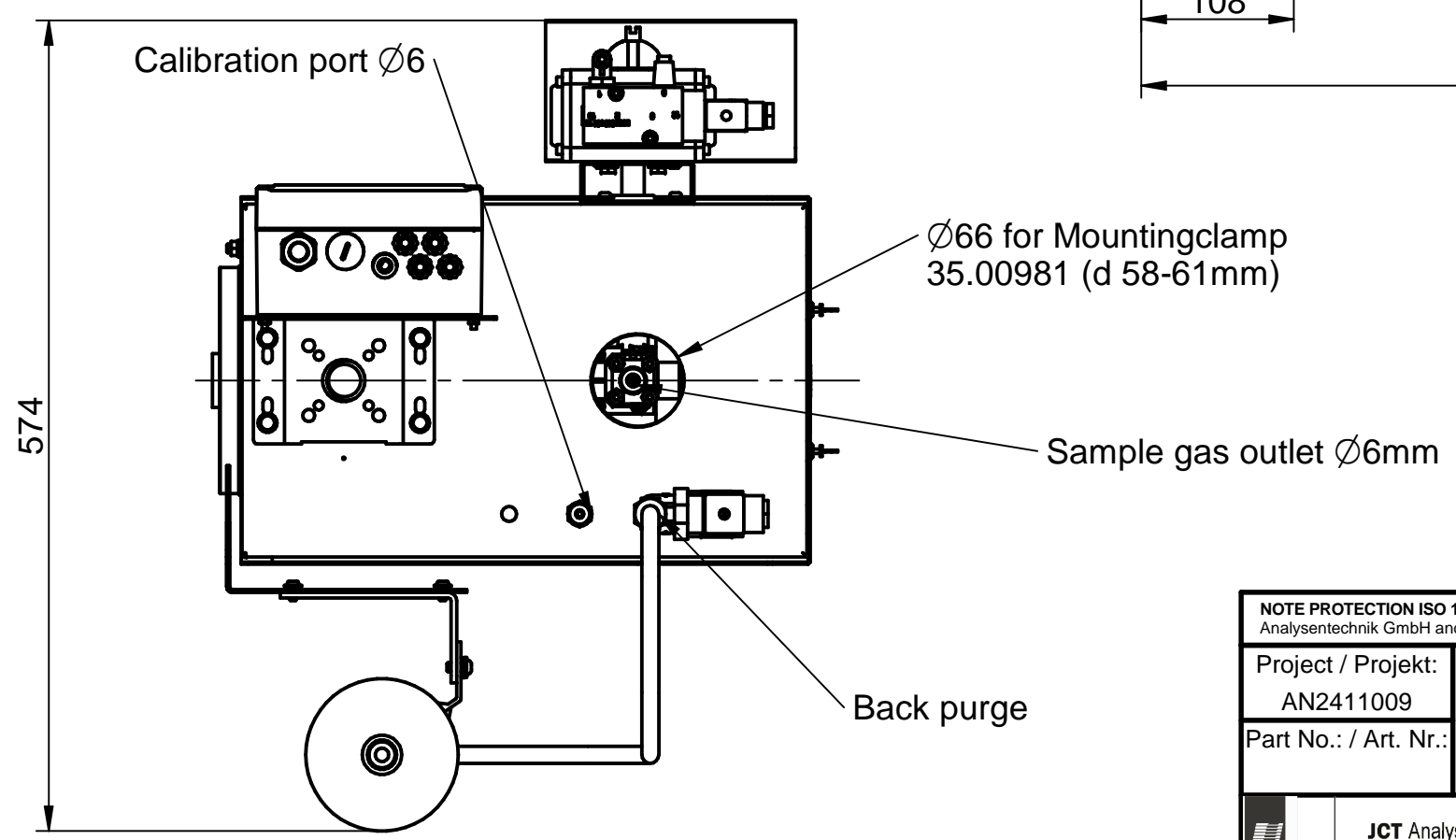


CAD Original by SOLID EDGE  
 ANY modification in CAD ONLY  
 ISO 16016  
 Urheberrecht nach  
 Copy right acc. to  
 Zuletzt bearbeitet von: thg am/um 2024-11-13 09:42:25  
 Zeichnungsname: \\file\JCT-AQ\10 CAD\01\_Laufend\AN2411009\_Pos. 1\_JES-360.dft



Sample gas inlet G3/4" female thread

G1/2" female thread



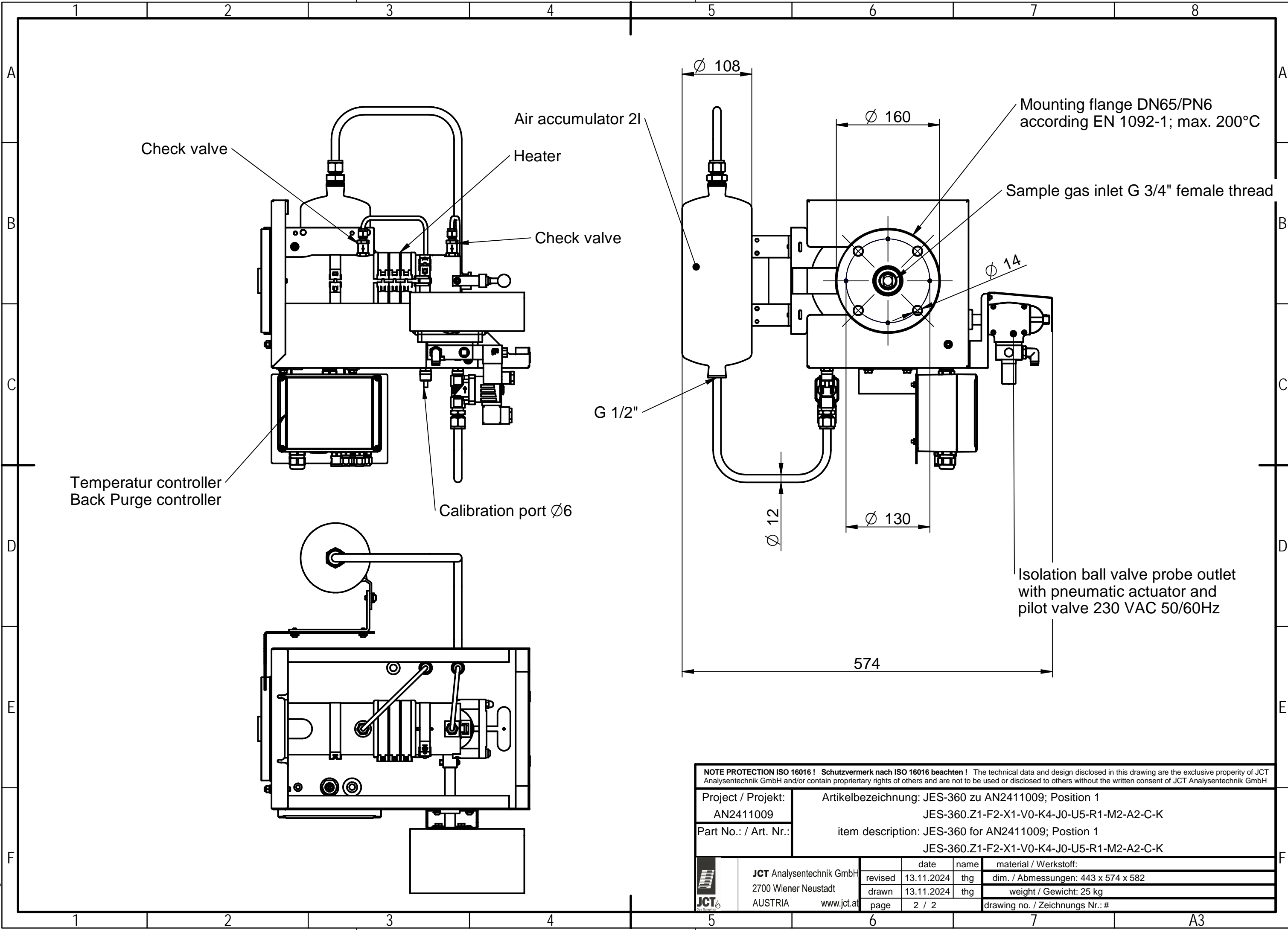
Calibration port Ø6

Ø66 for Mountingclamp  
35.00981 (d 58-61mm)


Sample gas outlet Ø6mm

Back purge

<b>NOTE PROTECTION ISO 16016! Schutzvermerk nach ISO 16016 beachten!</b> The technical data and design disclosed in this drawing are the exclusive property of JCT Analysetechnik GmbH and/or contain proprietary rights of others and are not to be used or disclosed to others without the written consent of JCT Analysetechnik GmbH			
Project / Projekt: AN2411009	Artikelbezeichnung: JES-360 zu AN2411009; Position 1 JES-360.Z1-F2-X1-V0-K4-J0-U5-R1-M2-A2-C-K		
Part No.: / Art. Nr.:	item description: JES-360 for AN2411009; Postion 1 JES-360.Z1-F2-X1-V0-K4-J0-U5-R1-M2-A2-C-K		
<b>JCT</b> Analysetechnik GmbH 2700 Wiener Neustadt AUSTRIA www.jct.at	date	name	material / Werkstoff:
	revised 13.11.2024	thg	dim. / Abmessungen: 443 x 574 x 582
	drawn 13.11.2024	thg	weight / Gewicht: 25 kg
	page 1 / 2		drawing no. / Zeichnungs Nr.: #



**NOTE PROTECTION ISO 16016! Schutzvermerk nach ISO 16016 beachten!** The technical data and design disclosed in this drawing are the exclusive property of JCT Analysentechnik GmbH and/or contain proprietary rights of others and are not to be used or disclosed to others without the written consent of JCT Analysentechnik GmbH

Project / Projekt: AN2411009	Artikelbezeichnung: JES-360 zu AN2411009; Position 1 JES-360.Z1-F2-X1-V0-K4-J0-U5-R1-M2-A2-C-K		
Part No.: / Art. Nr.:	item description: JES-360 for AN2411009; Postion 1 JES-360.Z1-F2-X1-V0-K4-J0-U5-R1-M2-A2-C-K		
 <b>JCT</b> Analysentechnik GmbH 2700 Wiener Neustadt AUSTRIA www.jct.at	date	name	material / Werkstoff:
	revised 13.11.2024	thg	dim. / Abmessungen: 443 x 574 x 582
	drawn 13.11.2024	thg	weight / Gewicht: 25 kg
page 2 / 2	drawing no. / Zeichnungs Nr.: #		