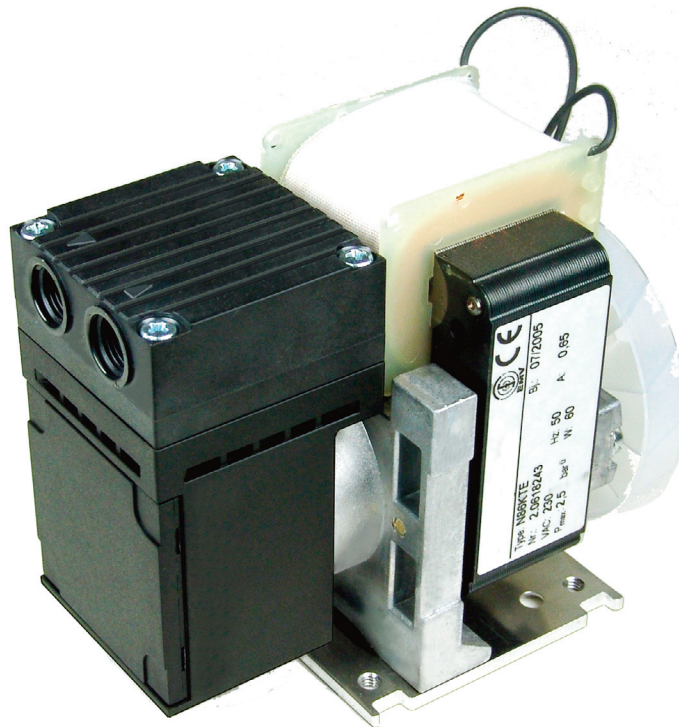




# JSP-86 | JSP-86 KTE | JSP-89

## Compact Sample Gas Pumps



### APPLICATION

- For extractive gas analysis
- For emission and process monitoring
- For continuous pumping of sample gas
- For installation in gas analysis systems
- Suitable for mobile devices
- Applicable for long tube and long hose distances

### BENEFITS

- Reliable continuous sample gas delivery
- No alteration of sample gas
- High suction power
- Easy mounting and integration in gas analysis systems
- Low noise and vibration operation
- Long life time
- Maintenance free construction
- Corrosion resistant
- Gas tight

### FEATURES

- For continuous operation
- Compact light weight design
- Robust construction
- Pump capacity 3 / 5.5 / 9.5 NI/min
- Membrane pump
- Corrosion resistant materials: EPDM, Ryton®, Viton®, PTFE coated
- Ball bearing brushless shaded pole motor
- Oil free gas path
- Operation in any installation position



## TECHNICAL DATA

MODEL	JSP-86	JSP-86 KTE	JSP-89
Description	continuously working compact membrane sample gas pump		

### OPERATION

Pump capacity at atm. pressure	3 NI/min	5,5 NI/min	9.5 NI/min
Max. media temperature	40 °C (104 °F)	40 °C (104 °F)	40 °C (104 °F)
Ambient temperature	5°...40 °C (40°...104 °F)	5°...40 °C (40°...104 °F)	5°...40 °C (40°...104 °F)
Operating pressure max.	3.4 bara	3.4 bara	1.5 bara
End vacuum max.	0.10 bara	0.16 bara	0.10 bara

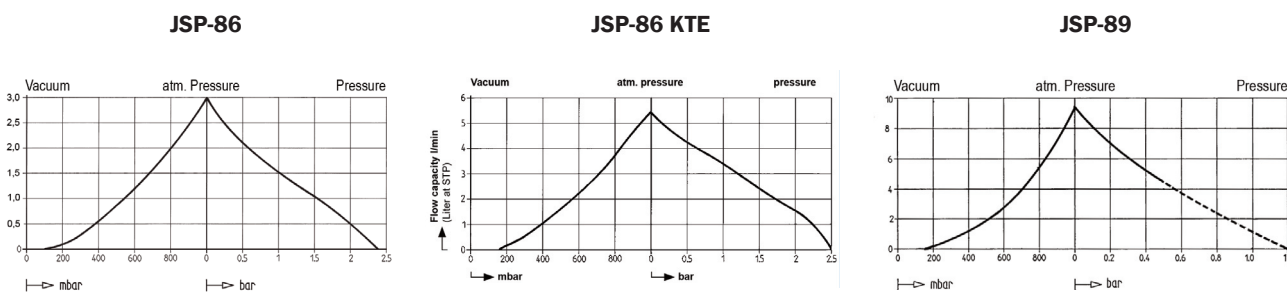
### CONSTRUCTION

Dimensions all over (W x H x D)	64 x 92,5 x 103 mm	64 x 92,5 x 103 mm	64 x 95 x 117 mm
Weight (without accessories)	1.1 kg	1.1 kg	1.3 kg
Connections inlet/outlet	G1/8" f	G1/8" f	G1/8" f
Gas wetted materials	EPDM, Ryton®, Viton®	PTFE coated, Ryton®, Viton®	EPDM, Ryton®, Viton®
Pump head material	Ryton®	Ryton®	Ryton®
Valve / Membrane material	Viton®, EPDM	Viton®, PTFE	FFPM, PTFE
Mounting	mounting base	mounting base	mounting base
Protection class	IP00	IP00	IP00
Approvals / Signs	CE	CE	CE

### ELECTRICS

Power supply	115 VAC 60 Hz	230 VAC 50 Hz	230 VAC 50 Hz or 115 VAC 60 Hz
Power consumption	60 W	60 W	60 W
On time	100 %	100 %	100 %
Electrical connection	2 x 200 mm free strands 0.35 mm <sup>2</sup> and 6.3 mm „Fast On“ earthing lead		

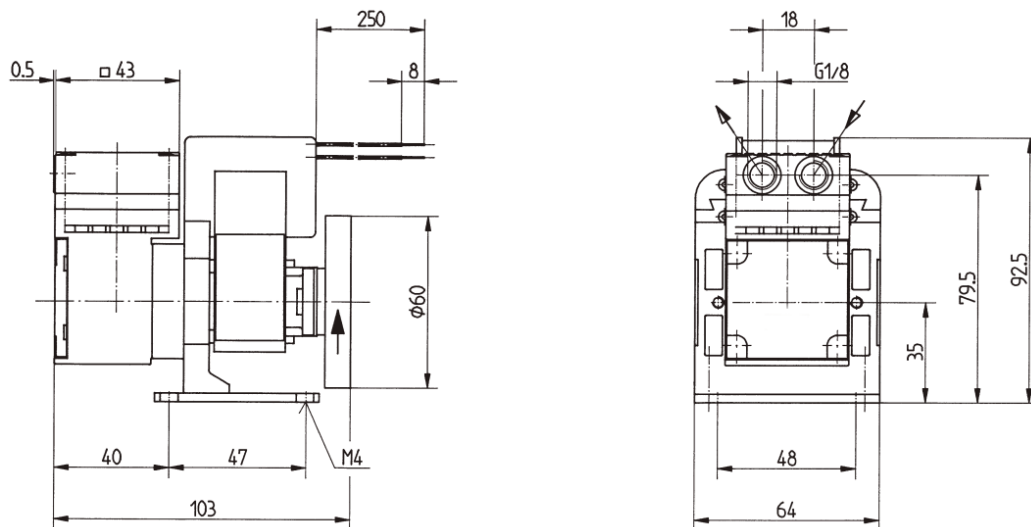
## FEED CURVE



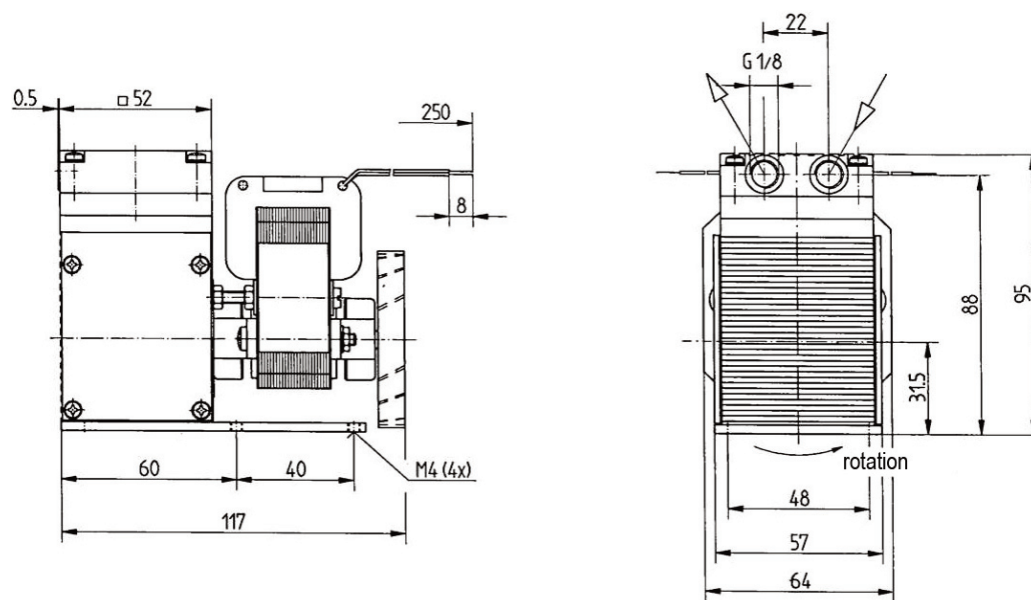
## DIMENSIONS

dimensions in mm

### JSP-86 / JSP-86 KTE



### JSP-89



## ORDER CODES

Part No.		Description
Pump 230 VAC 50	Pump 115 VAC 60	
	K1233144	JSP-86 Membrane sample gas pump, 3.0 NI/min
85.08620		JSP-86 KTE Membrane sample gas pump, 5.5 NI/min
85.08920		JSP-89 Membrane sample gas pump, 9.5 NI/min