



# JBPRV

## Back Purge Reduction Valve



**JCT**  
Analysentechnik

### Gas Sampling Probes

Heated Sample Lines

Sample Gas Coolers

Condensate Treatment

Accessories

Gas Conditioning Systems

Sample Gas Converters

#### APPLICATION

- Extractive gas analysis
- Emission and process monitoring
- Pressure reduction valve
- Solution for blow back sampling probes
- Analyzer & equipment protection

#### BENEFITS

- Prevents pressure bursts
- Very low pressure drop
- Low leak rate
- Easy mounting
- Safe operation

#### FEATURES

- Very small outlines
- Very small built-in valve in 1/8" adapter
- Two in one solution: valve and connector

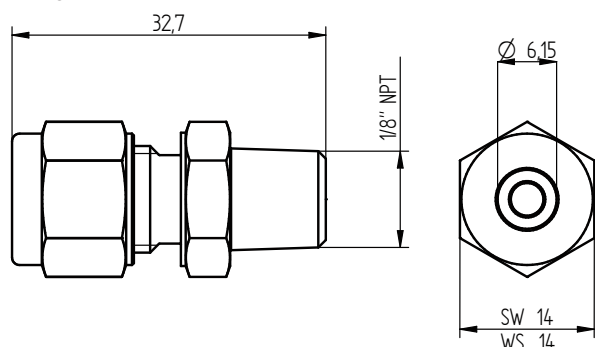
## TECHNICAL DATA

Model	JBPRV 6 mm	JBPRV 8 mm	JBPRV 1/4"
Description	pressure reduction valve for gas sampling probes with back purge port		
<b>Betriebsdaten</b>			
Operating temperature	5°C to 200°C		
Ambient temperature	-20 to +60°C		
Sealing pressure	approx. 3 bara		
Re-opening pressure	approx. 2,5 bara		
Differential pressure	12 mbara at 3 l/min		
Flow rate	max. 5 l/min		
<b>Konstruktion</b>			
Dimensions over all (W x H x D)	16,2 x 16,2 x 32,7 mm	18 x 18 x 34,1 mm	16,2 x 16,2 x 32,7 mm
Connection	1/8" NPT male connector for 6 mm tube connection	1/8" NPT male connector for 8 mm tube connection	1/8" NPT male connector for 1/4" tube fitting
Sample gas wetted materials	SS316L / SS316Ti		
Weight	25 g	31 g	25 g
Approvals / signs	CE		

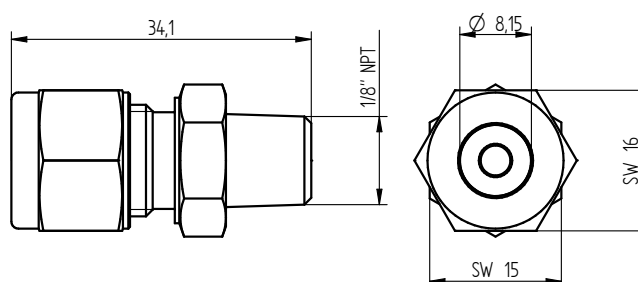
## DIMENSIONS

Dimensions in mm

**JBPRV 6 mm**



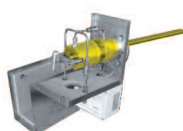
**JBPRV 8 mm**



## ORDER CODE

Order code	Description
35.90092	Backpurge reduction valve JBPRV, 6 mm pipe
35.90099	Backpurge reduction valve JBPRV, 8 mm pipe
35.90111	Backpurge reduction valve JBPRV, 1/4" fitting

Gas Sampling **Probes**



Heated Sample **Lines**



Sample Gas **Coolers**



Gas Conditioning **Systems**



NOx **Converter**



and solutions for

